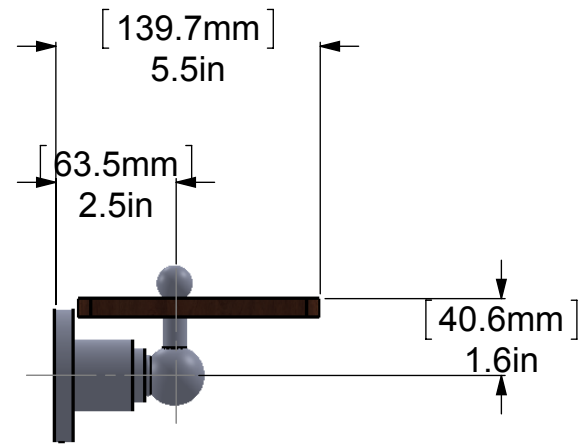
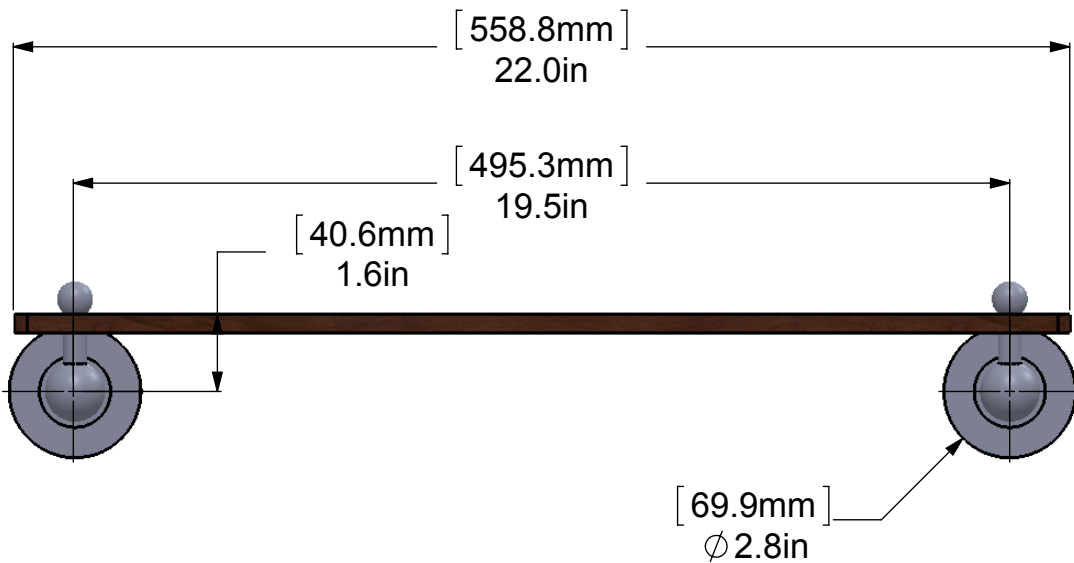
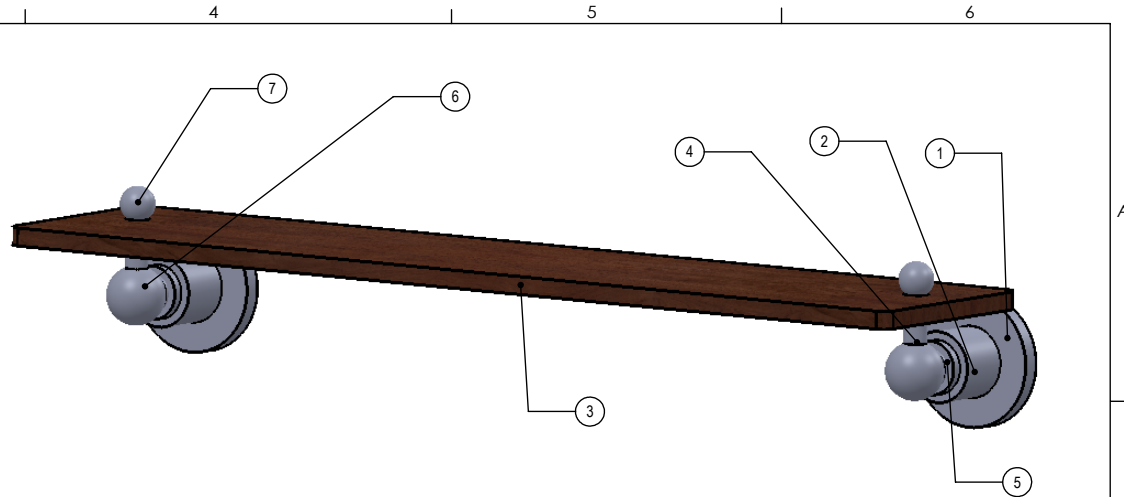


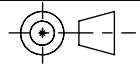
ITEM NO.	PART NUMBER	DESCRIPTION	QTY.
1	BPRD	Base	2
2	WASP	NECK	2
3	IRWRT-22	WOOD SHELF	1
4	TU12-.75"	SUPPORT TUBE	2
5	CRRD-34	RING	2
6	BL2TD-1.25	LOWER BALL	2
7	BL1T-34	End Ball	2



UNLESS OTHERWISE STATED

.X	$\pm .3\text{mm}$
.XX	$\pm .15\text{mm}$
.XXX	$\pm .008\text{mm}$

COPYRIGHT © Allied Brass 2016



THIRD ANGLE PROJECTION

DRAWN	10/6/2016	I.M
CHECKED	10/6/2016	P.D
APPROVED	10/6/2016	R.A

MATERIAL:	BRASS
DESCRIPTION:	WOOD SHELF

FINISH	TBD
QUANTITY	TBD
DRAWING No.	AP-1-22-IRW
REV	0
SCALE	1:4
SHEET: 01	A4